

RAILING

- #10 ELECTRIC
- #9 ELECTRIC

- #6 ELECTRIC
- #7 ELECTRIC

- #6 ELECTRIC
- 10 6" x 9" LERKOS @ 750V
- 7 6" x 12" LERKOS @ 750V
- 8 6" FRESNELS @ 15K

- #5 ELECTRIC
- 10 6" x 9" LERKOS @ 750V
- 12 6" x 12" LERKOS @ 750V
- 3 PROJECTORS

- #4 ELECTRIC
- 9 6" x 9" LERKOS @ 750V
- 8 6" FRESNELS @ 15K

- #3 ELECTRIC
- 12 6" x 9" LERKOS @ 750V
- 16 6" x 12" LERKOS @ 750V

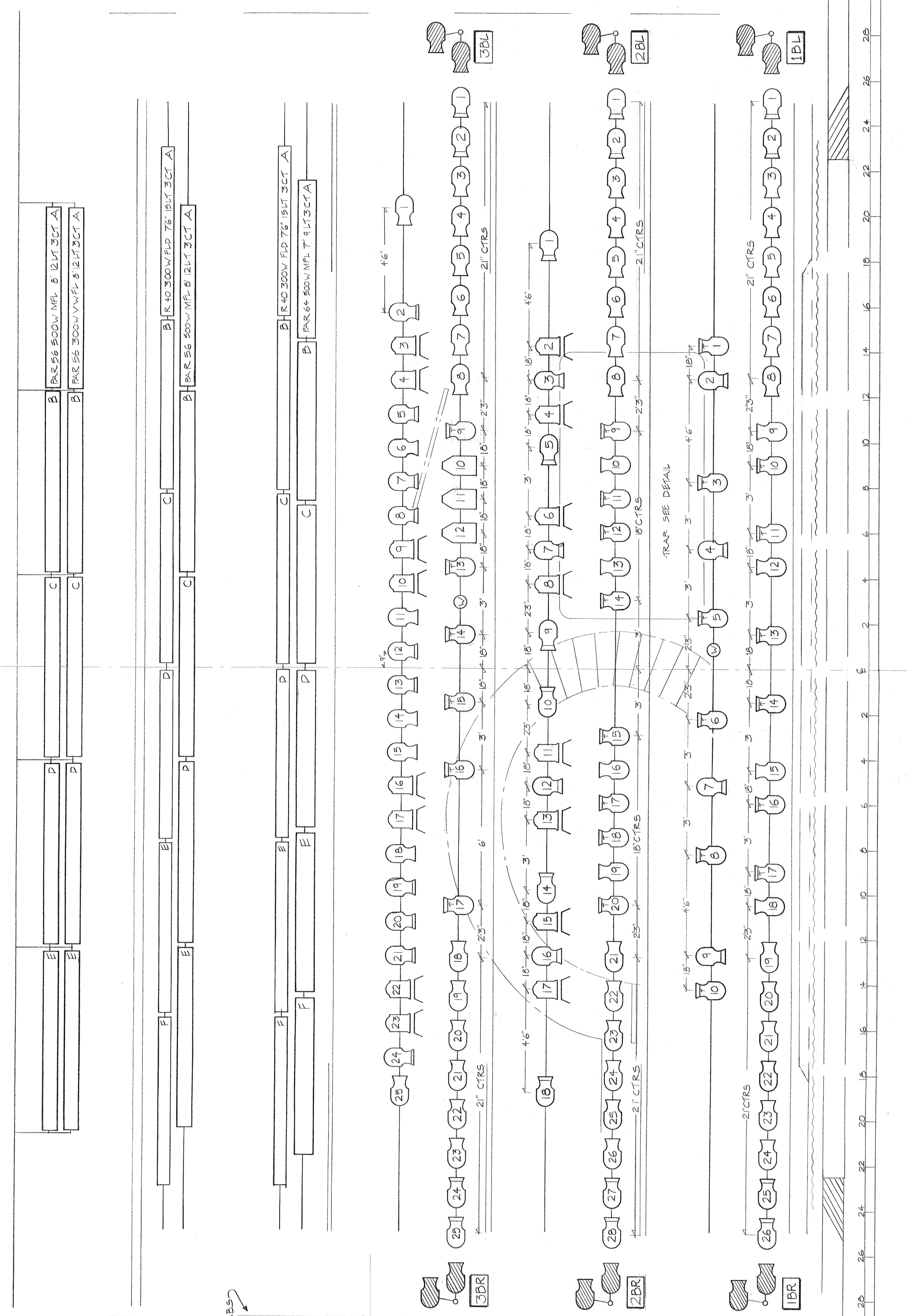
- #2 ELECTRIC
- 10 6" x 9" LERKOS @ 750V

- #1 ELECTRIC
- 10 6" x 9" LERKOS @ 750V
- 16 6" x 12" LERKOS @ 750V

NOTES:

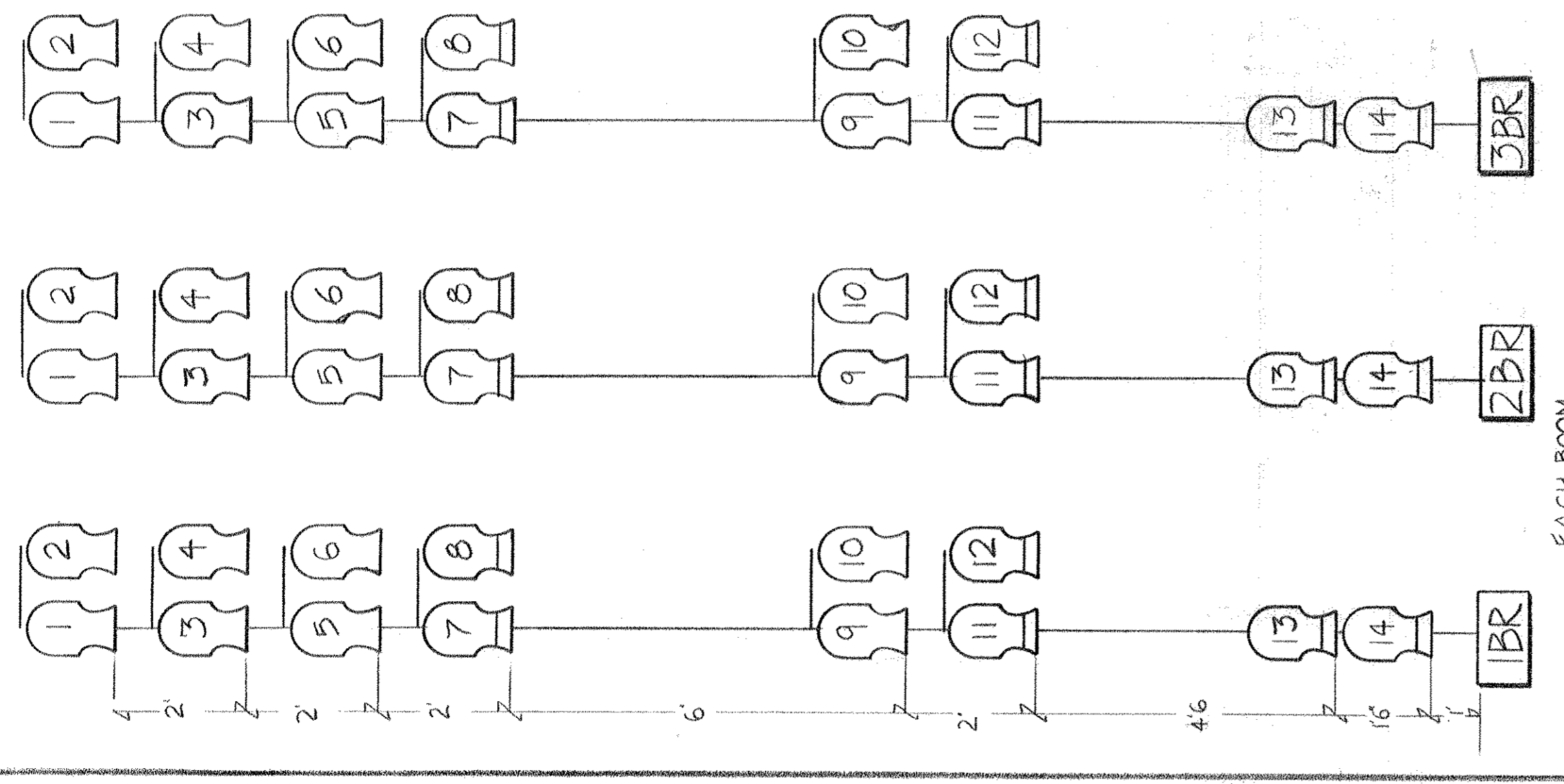
UNITS ON 18" CTRS UNLESS NOTED
 ALL TRIMS ARE LENS TO DECK
 ALL BOOMS ARE 25" FROM ♂

EACH BOOM
 6 6" x 9" LERKOS @ 750V
 8 6" x 12" LERKOS @ 750V



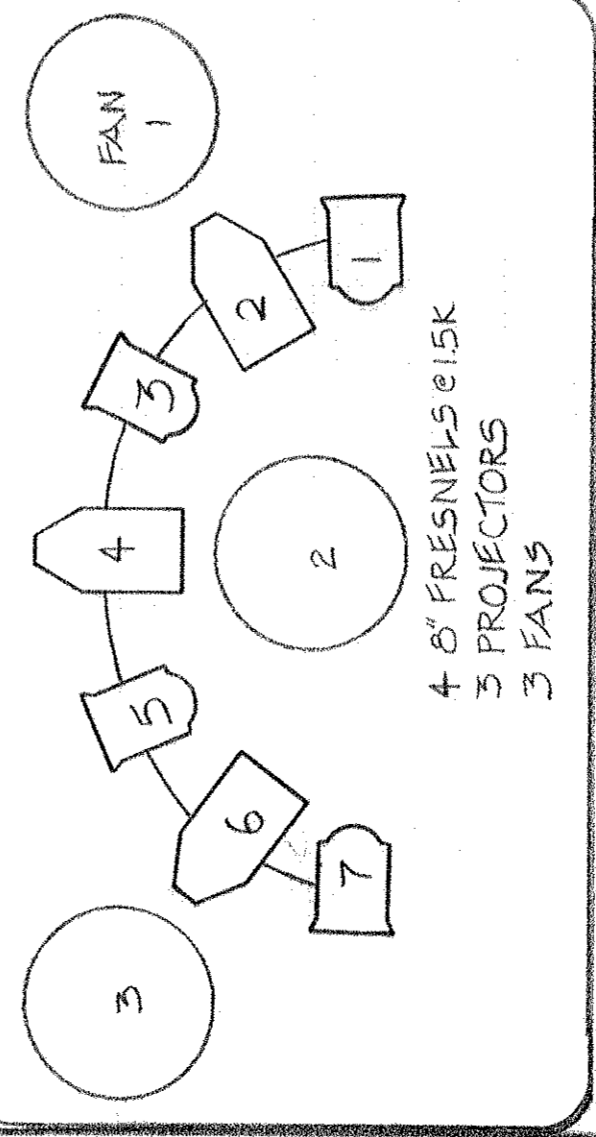
LINE SETS

| LINE | LOAD | TOTAL TRIM |
|------|-----------------|---------------|
| 80 | # 4 BOOPER DEOP | 29'8" |
| 87 | # 10 ELECTRIC | 29'0" + 33'0" |
| 84 | # 9 ELECTRIC | 28'0" + 32'0" |
| 81 | WHITE SCREEN | 27'8" |
| 72 | # 8 ELECTRIC | 23'8" + 29'0" |
| 69 | # 7 ELECTRIC | 22'8" + 28'6" |
| 68 | # 3 BOOPER | 21'4" |
| 56 | # 6 ELECTRIC | 18'4" + 32'0" |
| 48 | # 5 ELECTRIC | 15'8" + 29'0" |
| 44 | # 2 BOOPER | 14'4" |
| 36 | # 4 ELECTRIC | 11'8" + 31'0" |
| 27 | # 3 ELECTRIC | 8'8" + 26'6" |
| 24 | # 1 BOOPER | 7'4" |
| 14 | # 2 ELECTRIC | 4'4" + 31'0" |
| 6 | # 1 ELECTRIC | 1'8" + 26'6" |
| 3 | BOOPNET | 0'8" |
| 1 | PORTAL | 0'0" |



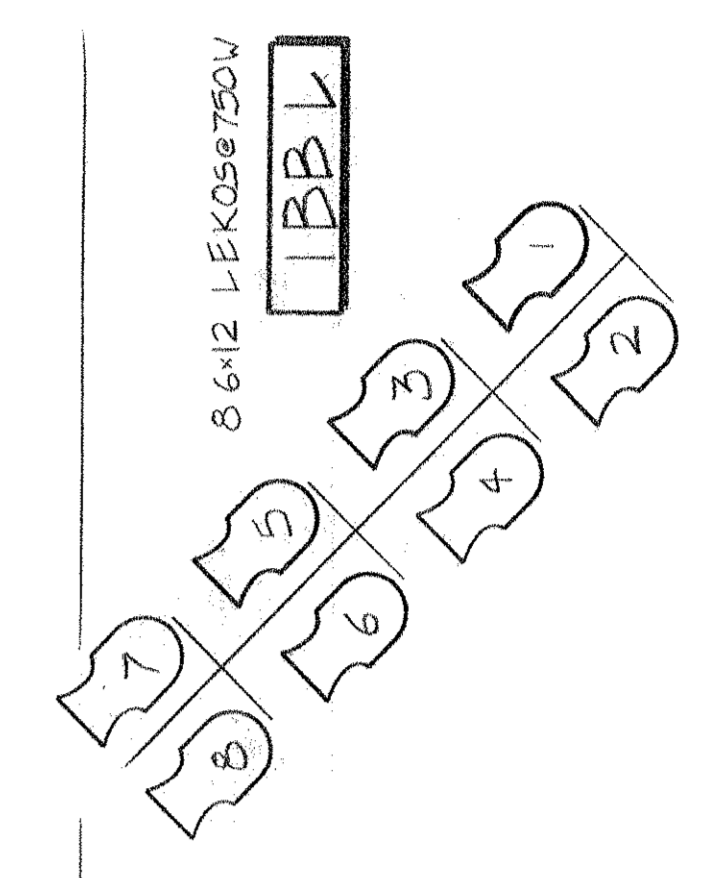
EACH BOOM
 6 6" x 9" LERKOS @ 750V
 8 6" x 12" LERKOS @ 750V

DETAIL OF TRAP



KEY

- 6" x 9" LERKOS @ 750V
- 6" x 12" LERKOS @ 750V
- 6" x 16" LERKOS @ 750V
- 6" FRESNEL @ 15K
- PROJECTOR
- TEMPLATE UNIT

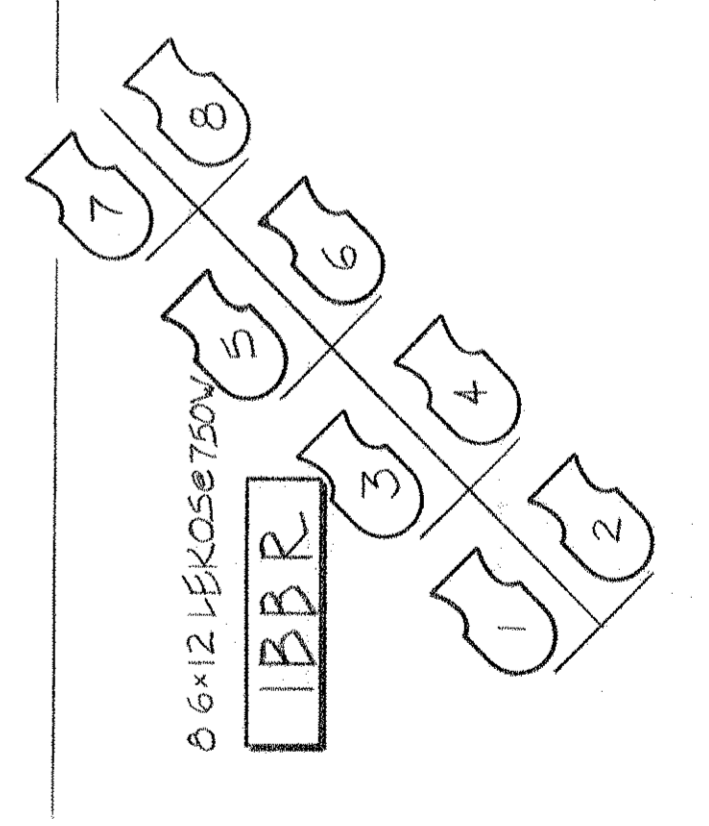


LOWER BALC

16 6" x 12" LERKOS @ 750V
 3 PROJECTORS

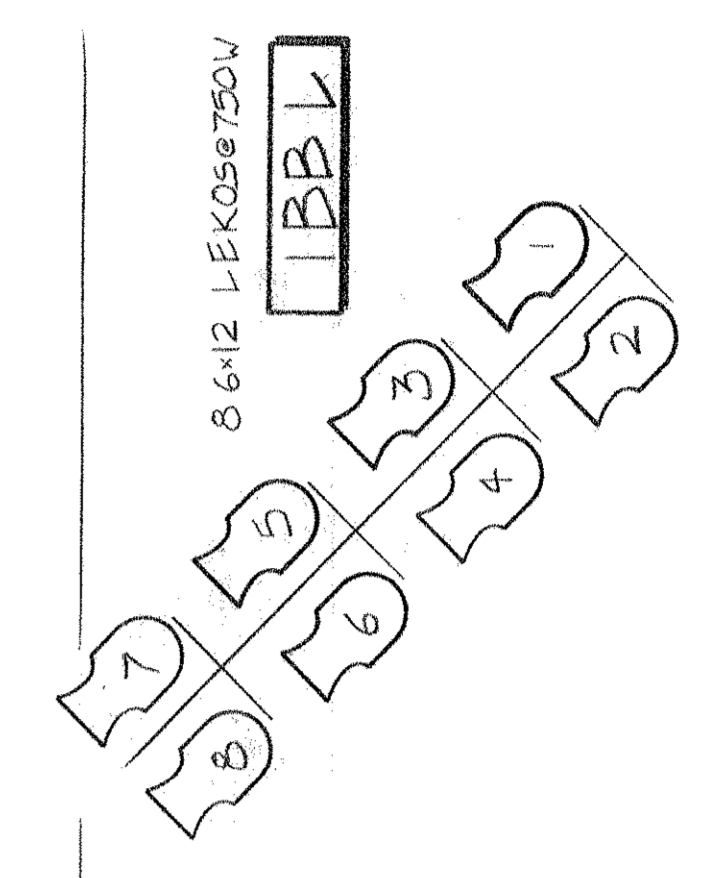
UPPER BALC

16 6" x 12" LERKOS @ 750V
 3 PROJECTORS



IBBR

6 6" x 12" LERKOS @ 750V



IBBL

6 6" x 12" LERKOS @ 750V